

MFS**Flexible couplings****MFSS**

Features

- Ideal one-body metallic spring flexible couplings.
- Zero backlash.
- Complete absorption of eccentricity angularity, and end-play by spring action.
- High torsional stiffness and response.
- Identical clockwise and anticlockwise rotational characteristics.
- Maintenance-free, oil and chemical resistant.
- Setscrew type.
- MFS Body : Extra Super Duralumin.
- MFSS Body : Stainless steel.

特性

- 完美單一本體，撓性聯軸器。
- 零作用力。
- 藉由彈性作用，完美吸收軸偏移、角偏差、軸端部位插。
- 高扭力，高負荷
- 可正逆轉特性。
- 免保養、抗油、抗化學性。
- 止付螺絲式固定
- MFS 本體：鋁合金材質。
- MFSS 本體：不銹鋼材質。

Specifications

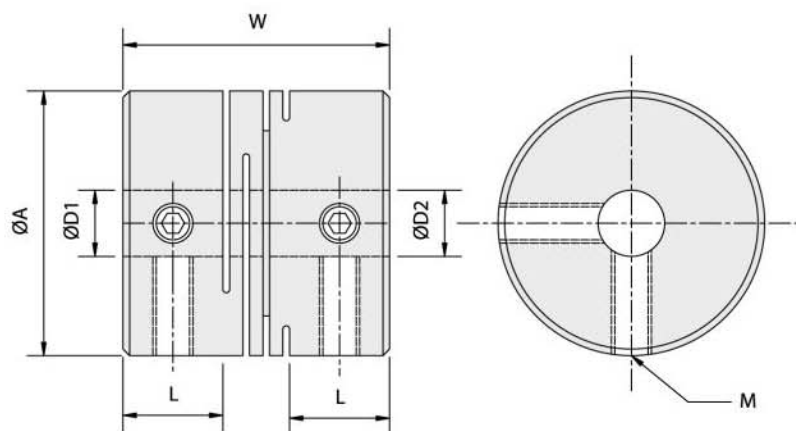
unit:mm

Product No 產品編號	Rated Torque 常用扭矩 (N.m)	Max. Torque 最大扭矩 (N.m)	Max. Rotational Frequency. 最高迴轉數 (min ⁻¹)	Moment* Of Inertia 慣性 (kg.m ²)	Error of Angularity 容許角偏差 (°)	Error of Shaft End-play 容許軸向位差 (mm)	Mass** 質量 (g)
MFS-16	0.3	0.6	24000	2.7×10 ⁻⁷	1°	±0.2	7.4
MFS-20	0.5	1.0	19000	7.6×10 ⁻⁷	1°	±0.2	12.0
MFS-25	1.1	2.2	15000	2.2×10 ⁻⁶	1°	±0.2	24.0
MFS-32	2.0	4.0	12000	8.0×10 ⁻⁶	1°	±0.2	50.0
MFS-40	5.0	10.0	9600	2.8×10 ⁻⁵	1°	±0.3	98.0
MFSS-16	0.5	1.0	24000	8.6×10 ⁻⁷	1°	±0.1	18.0
MFSS-20	1.0	2.0	19000	2.4×10 ⁻⁶	1°	±0.1	32.0
MFSS-25	2.1	4.2	15000	7.2×10 ⁻⁶	1°	±0.2	63.0
MFSS-32	3.5	7.0	12000	2.6×10 ⁻⁵	1°	±0.2	130.0

*Max. Bore Moment of Inertia/最大孔徑時慣性矩

**Max. Bore Mass/最大孔徑時質量

Setscrew type



Dimension

unit:mm

Product No 產品編號	A	L	W	Stock Bores 標準孔徑 D1×D2(公差 H8)		M
				Min D1	Max D2	
				MFS-16	16	
MFS-20	20	7.6	20	5	10	M3
MFS-25	25	9.5	25	5	12	M4
MFS-32	32	12.6	32	6	14	M4
MFS-40	40	15.8	40	8	18	M5
MFSS-16	16	6.8	18	4	8	M3
MFSS-20	20	7.6	20	5	10	M3
MFSS-25	25	9.5	25	5	12	M4
MFSS-32	32	12.6	32	6	14	M4

When Ordering

When placing an order, make sure to include product no.
And stock bores(both sides) of product.

MFS-20 - Ø5 X Ø6

Product No D1 D2



Features

- Ideal one-body metallic spring flexible couplings.
- Zero backlash.
- Complete absorption of eccentricity angularity, and end-play by spring action.
- High torsional stiffness and response.
- Identical clockwise and anticlockwise rotational characteristics.
- Maintenance-free, oil and chemical resistant.
- Clamp type.
- MFS-C Body : Extra Super Duralumin.
- MFSS-C Body : Stainless steel.

特性

- 完美單一本體，撓性聯軸器。
- 零作用力。
- 藉由彈性作用，完美吸收軸偏移、角偏差、軸端部位插。
- 高扭力，高負荷
- 可正逆轉特性。
- 免保養、抗油、抗化學性。
- 夾鉗式固定。
- MFS-C 本體：鋁合金材質。
- MFSS-C 本體：不銹鋼材質。

Specifications

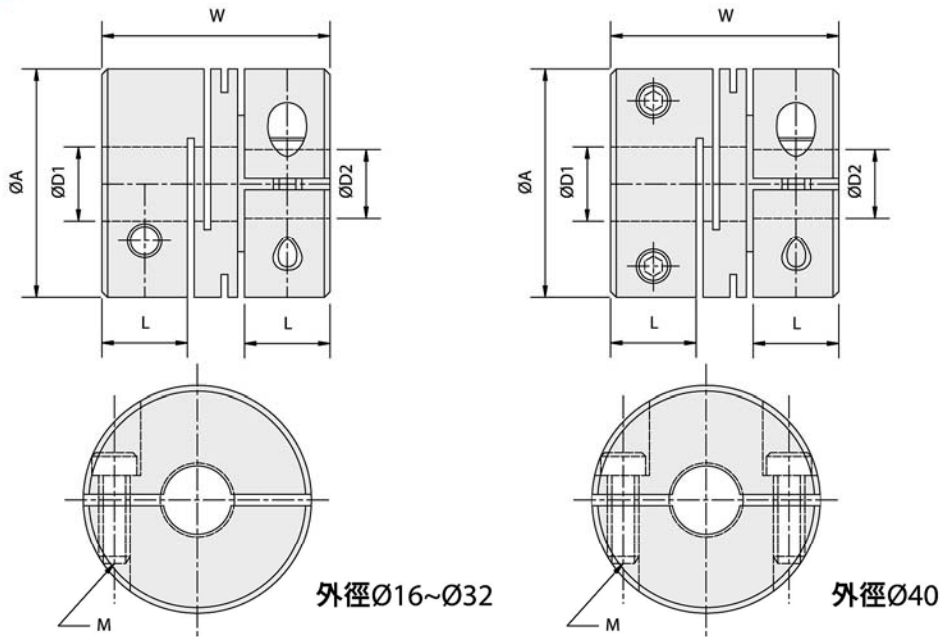
unit:mm

Product No 產品編號	Rated Torque 常用扭矩 (N.m)	Max. Torque 最大扭矩 (N.m)	Max. Rotational Frequency 最高迴轉數 (min ⁻¹)	Moment* Of Inertia 慣性 (kg.㎥)	Error of Angularity 容許角偏差 (°)	Error of Shaft End-play 容許軸向位差 (mm)	Mass** 質量 (g)
MFS-16C	0.3	0.6	9500	2.8×10 ⁻⁷	1°	±0.2	8.1
MFS-20C	0.5	1.0	7600	7.5×10 ⁻⁷	1°	±0.2	13.0
MFS-25C	1.1	2.2	6100	2.2×10 ⁻⁶	1°	±0.2	25.0
MFS-32C	2.0	4.0	4800	8.1×10 ⁻⁶	1°	±0.2	53.0
MFS-40C	5.0	10.0	3800	1.9×10 ⁻⁵	1°	±0.3	110.0
MFSS-16C	0.5	1.0	9500	7.8×10 ⁻⁷	1°	±0.1	21.0
MFSS-20C	1.0	2.0	7600	2.1×10 ⁻⁶	1°	±0.1	36.0
MFSS-25C	2.1	4.2	6100	6.3×10 ⁻⁶	1°	±0.2	70.0
MFSS-32C	3.5	7.0	4800	2.2×10 ⁻⁵	1°	±0.2	150.0

*Max. Bore Moment of Inertia/最大孔徑時慣性矩

**Max. Bore Mass/最大孔徑時質量

Clamp type



Dimension

unit:mm

Product No 產品編號	A	L	W	Stock Bores 標準孔徑 D1×D2(公差 H8)		M
				Min D1	Max D2	
MFS-16C	16	6.8	18	5	6	M2.5
MFS-20C	20	7.6	20	5	8	M2.5
MFS-25C	25	9.5	25	5	10	M3
MFS-32C	32	12.6	32	8	14	M4
MFS-40C	40	15.8	40	8	16	M5
MFSS-16C	16	6.8	18	5	6	M2.5
MFSS-20C	20	7.6	20	5	8	M2.5
MFSS-25C	25	9.5	25	5	10	M3
MFSS-32C	32	12.6	32	8	14	M4

When Ordering

When placing an order, make sure to include product no.
And stock bores(both sides) of product.

MFS-25C - Ø6 X Ø10

Product No D1 D2