



Features

- Ideal one-body design simple and fast assembly.
- High rigidity high torque.
- Low moment of inertia backlash-free.
- Suitable to small servo system exact transmission.
- With function of flexibility and vibration resistance.
- Long service life maintenance-free.
- Clamp type.
- MHC-C Body : Extra Super Duralumin.

特性

- 一體化設計,安裝簡單
- 高剛性,高扭矩
- 低慣性,無背隙
- 適於中小型伺服馬達精,密定位傳動
- 具伸縮緩衝集抗震功能
- 免保養,壽命長.
- 夾鉗式固定
- MHC-C 本體：鋁合金材質.

Specifications

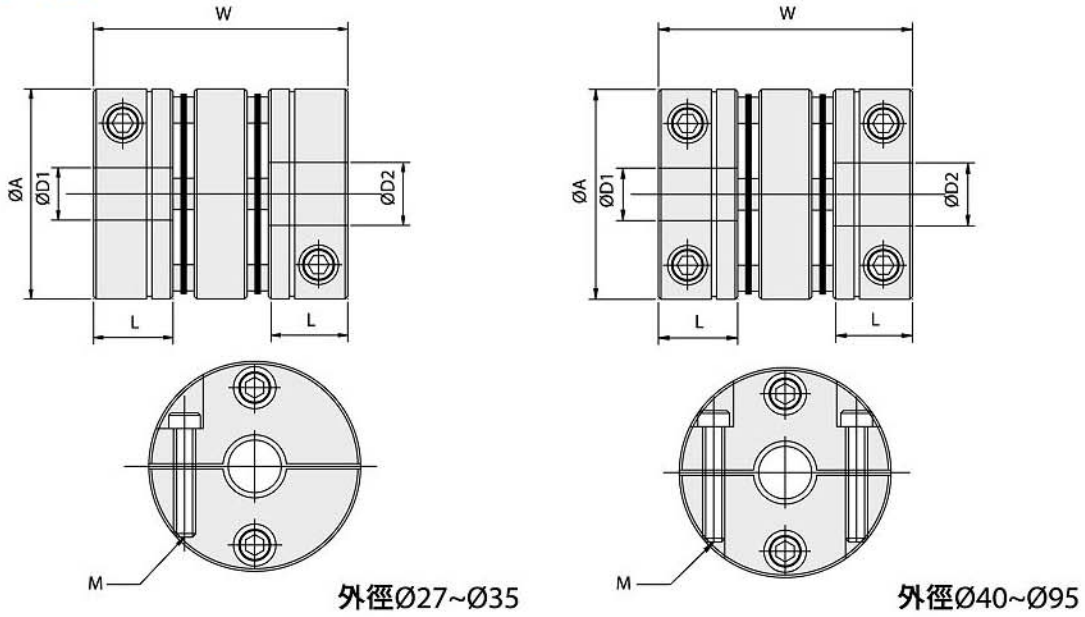
unit:mm

Product No 產品編號	Rated Torque 常用扭矩 (N.m)	Max. Torque 最大扭矩 (N.m)	Max.Rotational Frequency. 最高迴轉數 (min ⁻¹)	Moment* Of Inertia 慣性 (kg.m ²)	Error of Eeccentricity 容許偏心量 (mm)	Error of Angularity 容許角偏差 (°)	Error of Shaft End-play 容許軸向位差 (mm)	Mass** 質量 (g)
MHC-27C	1.8	3.6	10000	3.0×10 ⁻⁶	0.15	2°	±0.33	35.0
MHC-35C	4.0	8.0	10000	10.5×10 ⁻⁶	0.17	2°	±0.4	62.0
MHC-40C	7.0	14.0	10000	26×10 ⁻⁶	0.22	2°	±0.5	116.0
MHC-45C	10.0	20.0	10000	38×10 ⁻⁶	0.22	2°	±0.6	131.0
MHC-50C	16.0	32.0	10000	88×10 ⁻⁶	0.24	2°	±0.7	220.0
MHC-57C	26.0	52.0	10000	142.5×10 ⁻⁶	0.27	2°	±0.8	310.0
MHC-68C	62.0	124.0	10000	376×10 ⁻⁶	0.35	2°	±0.9	565.0
MHC-82C	100.0	200.0	10000	1080×10 ⁻⁶	0.55	2°	±1.2	1300.0
MHC-95C	180.0	360.0	10000	1940×10 ⁻⁶	0.55	2°	±1.3	1500.0

*Max. Bore Moment of Inertia/最大孔徑時慣性矩

**Max.Bore Mass/最大孔徑時質量

Clamp type



Dimension

unit:mm

Product No 產品編號	A	L	W	Stock Bores 標準孔徑 D1×D2(公差 H8)		M
				Min D1	Max D2	
				MHC-27C	27	
MHC-35C	35	12	38	6	14	M3
MHC-40C	40	15	48	8	16	M4
MHC-45C	45	15	48	10	19	M4
MHC-50C	50	20	62	12	22	M5
MHC-57C	57	20	62	12	25	M5
MHC-68C	68	24	74	14	32	M6
MHC-82C	82	30	98	19	35	M8
MHC-95C	95	30	98	22	45	M8

When Ordering

When placing an order, make sure to include product no.
And stock bores(both sides) of product.

MHC-68C - Ø16 X Ø22

Product No D1 D2